

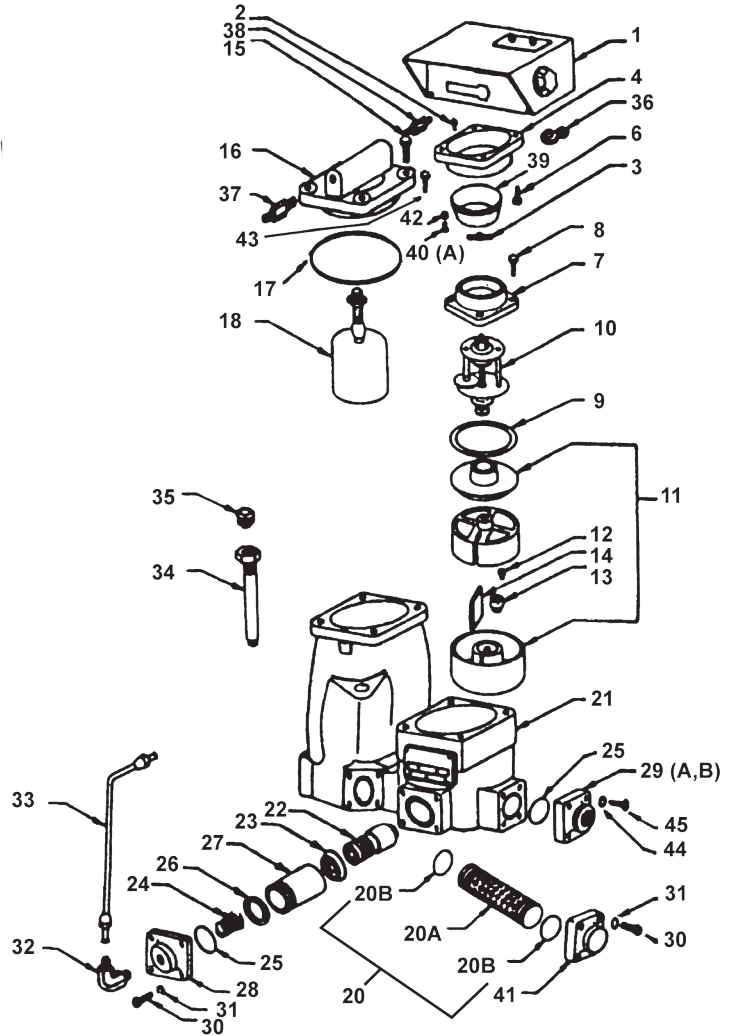


Parts List for Neptune 4D-MD 1" LPG Dispenser Meter



1" Type 4D-MD with 600 Series Register

Index	Description	Part No.
1	Register Complete, 600 Series, Gallons ATC	100498-018
	Register Complete, 600 Series, Gallons Non-ATC	100498-016
	Register Complete, 600 Series Liters ATC	100498-015
	Register Complete, 600 Series Liters Non-ATC	100498-019
2	Screw, 10-32 x 3/8 fil hd	000733-001
3	Star Conn with set screw	082976-001
4	Adapter, 600 Series Register	100729-001
6	Bolt, 1/4-28 x 1/2 hex hd	
	drilled	100062-023
	undrilled	100061-023
7	Main Case Cover Assembly	400024-701
8	Cap Screw, 7/16-14 x 1-3/16	
	drilled	040237-005
	undrilled	040237-004
9	Gasket, Main Case	601522-001
10	Gear Train Complete	
	116.87 reduction (600; 10 liter)	080905-013
	43.5 reduction (600; US gal) - Large Spindle	080905-017
11	Measuring Chamber Complete with Piston	101748-001
12	Pin, Seal	042792-000
13	Roller, Control	042086-000
14	Diaphragm	042791-000
15	Cap Screw, 3/8-016 x 1 hex hd	
	drilled	100071-025
	undrilled	100071-024
16	Cover, Vapor Release (See Note 1)	400021-701
17	Gasket, O-Ring	100139-012
18	Vapor Release Float Assembly (See Note 1)	087188-001
20	Strainer Kit, 80 mesh	101752-701
20A	Strainer, 14 x 80 mesh	101738-001
20B	O-Ring, 1/8 x 1" Buna	100139-041
21	Main Case Assembly	400027-701
	Pin, Measuring Chamber Locating	100370-022
-	Kit, Valve	100028-001
22	Piston, Differential Valve	100160-005
22B	O-Ring (Not Shown, See Note 3)	100139-044
23	U Cup, Valve	100025-009
24	Spring	100024-001
25	O-Ring, Cover	100139-007
26	O-Ring, Sleeve Sealing	100139-006
27	Sleeve, Valve	100027-003
28	Cover, Differential Valve	400020-702
29A	Flange, Inlet or Outlet, 3/4" NPT	600057-000
28B	Flange, Inlet or Outlet, 1" NPT	600057-001
30	Screw, 5/16 18 x 7/8 hex hd steel	
	drilled	008325-046
	undrilled	008325-044
31	Lockwasher, 5/16	041482-000
-	Tubing Kit, Vapor Release	100017-011
32	Elbow, Male 1/4-90°	
	(Flared tube fitting)	087195-001
33	Tube Assy, Vapor Release	087196-001
34	Thermometer Well	1001906
35	Cover, Thermometer Well	600443-001
36	Change Gears (give dia. and number of teeth)	(See Note 2)
37	Connector, Male 1/4 (flared tube fitting)	100135-002
38	Connector, Male 3/8 Flared	084826-000
39	Register Cup	000138-031
40	Screw, 1/4-20 Hex Head	100059-024
40A	Screw, 1/4-20 with Seal Hole	100060-090
41	Strainer Cover Assy	400025-701
42	Sleeve, Screw	100737-001
43	Screw, 10-32 x 3/8 fil hd.	000733-001
44	Lockwasher, 5/16 Hi Collar	041482-000
45	Screw 5/16 - 18 x 1 Hex. Soc. Head	008325-044



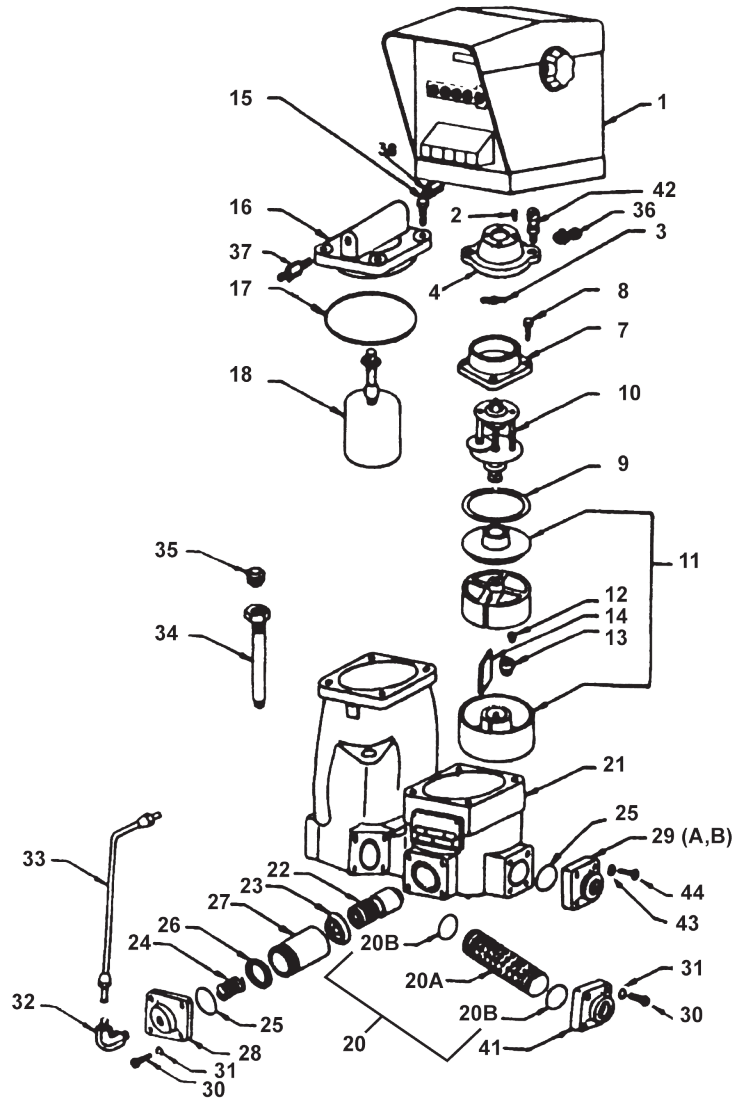
Note 1: Index numbers 16 & 18 can be purchased as one item under cover assembly part number 400026-701.

Note 2: See Form TSG-310

Note 3: Item number 22B goes in new O-Ring groove in part number 601342-001 in meters shipped after March 2013.

1" Type 4D-MD with 800 Series Register

Index	Description	Part No.
1	Register Complete, 800 Series, Gallons w/Printer	880030-000
	Register Complete, 800 Series Liters w/Printer	880130-158
2	Screw, 10-32 x 3/8 fil hd	000733-001
3	Star Conn with set screw	082976-001
4	Adapter, 800 Series Register	101779-001
7	Main Case Cover Assembly	400024-701
8	Cap Screw, 7/16-14 x 1-3/16	
	drilled	040237-005
	undrilled	040237-004
9	Gasket, Main Case	601522-001
10	Gear Train Complete	
	116.87 reduction (600; 10 liter)	080905-013
	43.5 reduction (600; US gal) - Large Spindle	080905-017
11	Measuring Chamber Complete with Piston	101748-001
12	Pin, Seal	042792-000
13	Roller, Control	042086-000
14	Diaphragm	042791-000
15	Cap Screw, 7/16-14 x 1 hex hd	
	drilled	100071-025
	undrilled	100071-024
16	Cover, Vapor Release (See Note 1)	400021-701
17	Gasket, O-Ring	100139-012
18	Vapor Release Float Assembly (See Note 1)	087188-001
20	Strainer Kit, 80 mesh	101752-701
20A	Strainer, 14 x 80 mesh	101738-001
20B	O-Ring, 1/8 x 1" Buna	100139-041
21	Main Case Assembly	400027-701
	Pin, Measuring Chamber Locating	100370-022
-	Kit, Valve	100028-001
22	Piston, Differential Valve	100160-005
22B	O-Ring (Not Shown, See Note 3)	100139-044
23	U Cup, Valve	100025-009
24	Spring	100024-001
25	O-Ring, Cover	100139-007
26	O-Ring, Sleeve Sealing	100139-006
27	Sleeve, Valve	100027-003
28	Cover, Differential Valve	400020-702
29A	Flange, Inlet or Outlet, 3/4" NPT	600057-000
29B	Flange, Inlet or Outlet, 1" NPT	600057-001
30	Screw, 5/16-18 x 7/8 hex hd steel	
	drilled	008325-046
	undrilled	008325-044
31	Lockwasher, 5/16	041482-000
-	Tubing Kit, Vapor Release	100017-011
32	Elbow, Male 1/4-90°	
	(Flared tube fitting)	087195-001
33	Tube Assy, Vapor Release	087196-001
34	Thermometer Well	1001906
35	Cover, Thermometer Well	600443-001
36	Change Gears (give dia. and number of teeth)	(See Note 2)
37	Connector, Male 1/4 (flared tube fitting)	100135-002
38	Connector, Male 3/8 Flared	084826-000
41	Strainer Cover Assy	400025-701
42	Register, Stud	084435-000
43	Lockwasher, 5/16 Hi Collar	041482-000
44	Screw 5/16 - 18 x 1 Hex. Soc. Head	008325-044



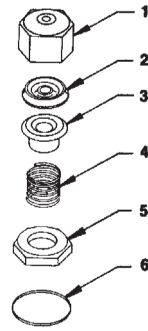
Note 1: Index numbers 16 & 18 can be purchased as one item under cover assembly part number 400026-701.

Note 2: See Form TSG-310.

Note 3: Item number 22B goes in new O-Ring groove in part number 601342-001 in meters shipped after March 2013.

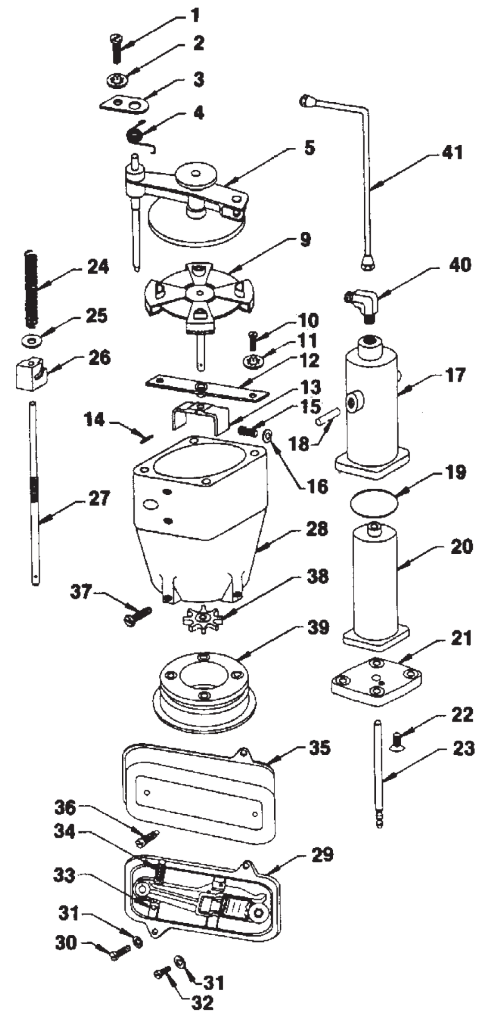
Stuffing Box - 100 and 600 Series

Index	Description	Part No.
1	Stuffing Box Nut with Bushing	083536-000
2	Seal, U-Cup Shaft	100025-002
3	Expander, Seal	083539-000
4	Spring, Stuffing Box	083540-000
5	Nut, Clamp	000034-000
6	Gasket, O-Ring, Gear Train	100138-003



ATC

Index	Description	Part No.
1	Screw, 8-32 x 3/8 LG BD-HD	008383-003
2	Washer, Internal Tooth Lock-No. 10	100122-007
3	Plate, Offset Arm Support	101060-001
4	Spring, Offset Spider Arm	008355-506
5	Arm Complete, Offset Spider	084910-004
9	Ratchet & Arm Assembly	101053-001
10	Screw, 10-32 x 3/16 fil hd	088524-001
11	Washer, Internal Tooth Lock, No 10	100122-007
12	Plate Assembly, Drive	101055-001
13	Driving Fork	084192-006
14	Rollpin, 1/16 Dia. x 3/8 Steel	100370-003
15	Screw, 1/4-20 x 1/2 Socket hd	008325-033
16	Washer, 1/4 Lock	041117-000
17	Housing, Thermostat	101048-001
18	Pin, Dowel, 3/16 Dia. x 1/2 Lg.	008349-015
19	Gasket O-Ring	100139-005
20	Thermostat (Bellows)	086646-000
21	Cover, Thermostat	400020-003
22	Screw, 1/4-20 x 5/8 Lg. Socket Flat hd	008325-401
23	Pin, Thermostat	086648-006
24	Spring, Pushrod	008488-001
25	Washer, Spring Retaining	088286-003
26	Swivel Block Assembly	086612-000
27	Push Rod	101059-001
28	Housing Assembly, ATC	101047-001
29	Mounting Plate and Lever Arm Assembly	086649-002
30	Screw, 10-32 x 5/8 fil hd	041221-002
31	Lockwasher, No. 10 Steel	041211-000
32	Screw, 10-32 x 5/16 Lg. fil hd	000733-001
33	Cotter Pin, 1/16 Dia. x 3/8 Lg. Brass	086973-000
34	Pin, Lever Arm Lock	086661-001
35	Cover, Lever Arm Mounting Plate	086665-000
36	Screw, Cover (10-32 Special)	009287-003
37	Screw, 10-32 x 3/4 Lg. fil hd	041750-000
38	Star Wheel	082976-001
39	Adapter Mounting Ring	101052-001
40	Elbow	008323-001
41	Connector Tube Assembly	101065-002
42	Screw, 10-32 x 3/4 Lg. fil hd, drilled	041750-002



1310 Emerald Road
 Greenwood, SC 29646
 USA
 Phone: 1.800.833.3357
 Fax: 1.864.223.0341

