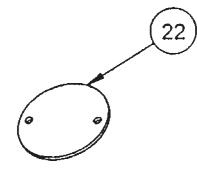
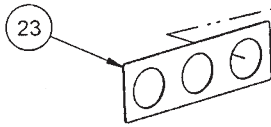
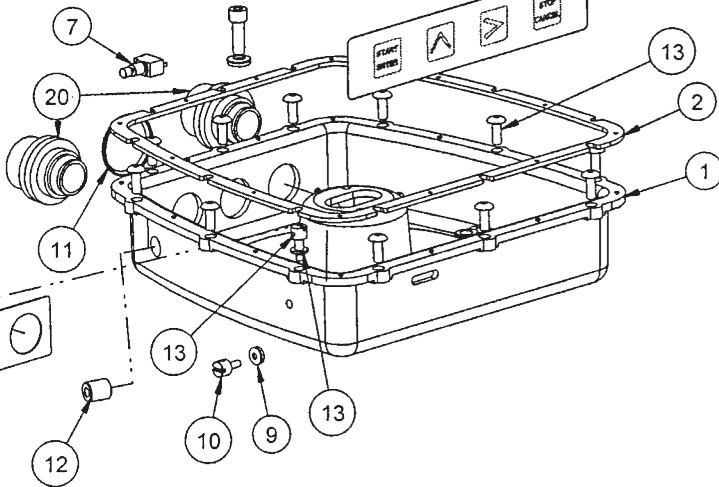
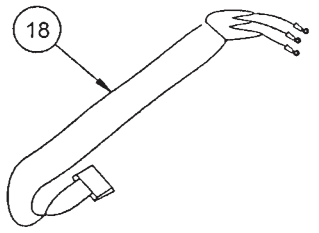
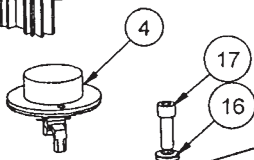
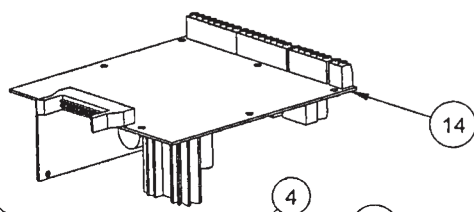
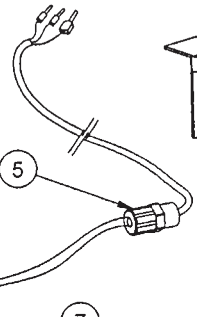
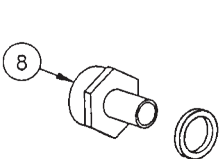
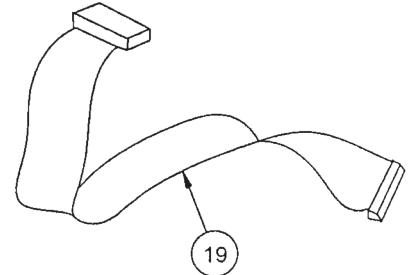
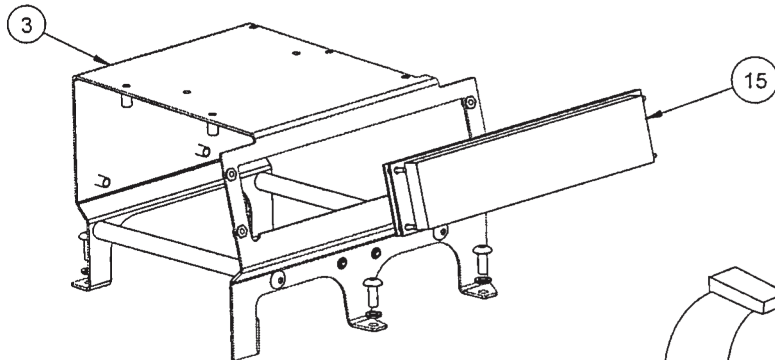
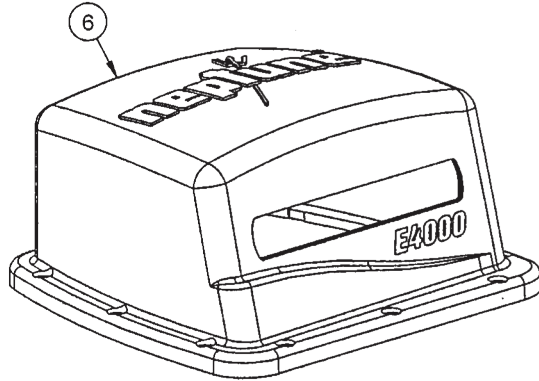
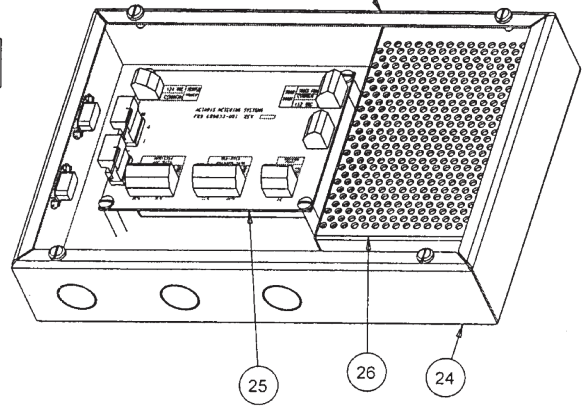
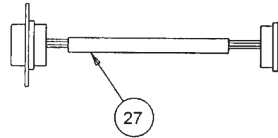




# E4000 Parts List



SHOWN WITHOUT TOP



# REGISTER HEAD COMPONENTS FOR KEYPAD VERSION BASE

Released 06/15/2010 Serial number EXXXFJ

Index	DESCRIPTION	PT#
1	SEE PAGE(S) BELOW FOR COMPLETE LIST OF SERVICE PARTS AND E4000 REPLACEMENT BASES FOR SALE	
2	GASKET BETWEEN BASE AND BLUE COVER	1002357
4	ENCODER KIT (Includes parts below) Encoder with 4 wire Ribbon cable 1 each 6-32 x 3/8" screws 2 each Round mounting plate 1 each Round mounting plate gasket 1 each No turn washer 1 each Drive fork 1 each Drive fork cotter pin 1 each	601089-001 601404-000 600027-001 600928-001 600927-001 600140-001 100536-001 601029-001
	ENCODER ONLY with 4 wire Ribbon cable & Ferrules	601404-000
5	RTD PROBE US with 48" wire	300048-153
	RTD PROBE CANADA with 48" wire	300048-152
6	BLUE TOP COVER	1002355
7	SWITCH W&M only (no wires)	1003001
8	CABLE STRAIN RELIEF 1/2"	600042-004
9	WASHER for W&M SWITCH SEAL SCREW	100093-003
10	W&M SWITCH SEAL SCREW	009287-013
11	HOLE COVER 1/2"	1003023
12	HEX SOCKET PIPE PLUG FOR RTD CABLE HOLE	600047-001
13	COVER FASTENER KIT (includes parts below) COVER SCREWS 12 each COVER NUTS 12 each W&M COVER SCREW 1 each W&M COVER SCREW WASHER 1 each	600052-000 1002487 1002486 009287-007 008568-003
14	PCB MAIN BOARD - 10 PRODUCTS US SOFTWARE	600300-700
	PCB MAIN BOARD - 10 PRODUCTS NON US SOFTWARE ENGLISH	600300-702
	PCB MAIN BOARD - BRAZIL SOFTWARE	600300-703
	PCB MAIN BOARD - 10 PRODUCTS NON US SOFTWARE SPANISH	600300-704
15	DISPLAY ASSEMBLY KIT (includes below) Nylon flat washer 8 each Display 1 each Installation instructions 1 each	600200-000 1003007 1002359
	HEATED DISPLAY ASSEMBLY KIT (includes below) Nylon flat washer 8 each Display 1 each Display heat strip with wires 1 each Thermostat with wires and screws 1 each Installation instructions 1 each	600234-000 1003007 1002359 600225-001 VARIOUS
16	SEAL WASHER FOR MOUNTING SCREW	100093-001
17	REGISTER MOUNTING SCREW	083784-000
18	CABLE SERIAL PORT MAIN PCB TO TERMINAL STRIP	1003022
19	CABLE MAIN PCB TO DISPLAY	1003021
20	CONDUIT HUBS 1/2"	600574-000
21	4 BUTTON KEYPAD REPLACEMENT KIT (includes parts below) Keypad 2 each (1 is a spare) Keypad Lead Seal 2 each M-303-9 installation instructions	601275-000 600926-001 601094-001
22	ENCODER MOUNTING COVER PLATE KIT Cover Mounting Plate Cover Mounting Plate Gasket 6-32 x 3/8" screws	601089-002 600928-002 600927-001 600027-001
23	UL APPROVAL BONDING BRACKET	600077-000

## OTHER COMPONENTS

Index	DESCRIPTION	PT#
24	<b>COMPLETE JUNCTION BOX (includes parts below)</b> Junction box power supply 1 each DC/DC converter 1 each 16 awg power wires with 5 amp inline fuse and holder 10 lineal feet Printer power cable for Epson printer 1 each 1/2" Strain relief 1 each 1/4" Strain relief 2 each Serial cable from power supply to HHC & Printer ports 2 each Junction box aluminum enclosure and lid	<b>601031-001</b> 600894-001 601032-001 VARIOUS 600043-003 600042-004 600041-004 600040-002 601041-001
25	<b>JUNCTION BOX POWER SUPPLY</b>	<b>600894-001</b>
26	<b>DC/DC CONVERTER</b>	<b>601032-001</b>
27	<b>SERIAL CABLE JBOX POWER PCB TO HHC/PRINTER PORT</b>	<b>600040-002</b>
Not shown	<b>JUNCTION BOX LID SCREWS 10-32 x 3/8"</b>	<b>008305-028</b>
Not shown	<b>PRINTER DATA CABLE JBOX TO PRINTER</b>	<b>600051-004</b>
Not shown	<b>PRINTER POWER CABLE FOR EPSON SLIP PRINTER</b>	<b>600043-003</b>
Not shown	<b>30' COMMUNICATION CABLE FROM JBOX TO REGISTER</b>	<b>601027-030</b>
Not shown	<b>40' COMMUNICATION CABLE FROM JBOX TO REGISTER</b>	<b>601027-040</b>
Not shown	<b>50' COMMUNICATION CABLE FROM JBOX TO REGISTER</b>	<b>601027-050</b>
Not shown	<b>TVS 1500W 20V BIPOLAR FOR 600201-000 &amp; 600515-701 VALVE</b>	<b>600514-001</b>
Not shown	<b>LPG SECURITY VALVE WITH TVS (valve only)</b>	<b>600201-000</b>
Not shown	<b>PETROLEUM DUAL STAGE VALVE WITH TVS (valve only)</b>	<b>600515-701</b>
Not shown	<b>RLINK FLASH SOFTWARE KIT</b>	<b>600957-000</b>

## PARTS FOR BUTTON VERSION BASE

Index	DESCRIPTION	PT#
	<b>ROUND BUTTON - GREEN</b>	<b>600535-003</b>
	<b>ROUND BUTTON - WHITE</b>	<b>600535-001</b>
	<b>ROUND BUTTON - RED</b>	<b>600535-002</b>
	<b>ROUND CLEAR BUTTON COVER</b>	<b>600536-001</b>
	<b>ENCODER SHAFT ASSEMBLY*</b>	<b>600736-000</b>
	<b>ENCODER TO DRIVE SHAFT COUPLER</b>	<b>1002364</b>
	<b>ENCODER KIT FOR BASES WITH BUTTONS &amp; SW AFTER V6 **</b>	<b>600053-000</b>
	<b>ENCODER KIT FOR BASES W/BUTTONS &amp; SW BEFORE V 6</b>	<b>600053-001</b>
	<b>DRIVE FORK ASM WITH SET SCREW</b>	<b>082592-003</b>
	<b>RED CAPLUG FOR REGISTERS WITHOUT ENCODER</b>	<b>600046-001</b>

\*Note: Before March 1, 2010

\*\* Note: After October, 2004 S/N KCxxxx

## CHOOSING CORRECT REPLACEMENT BASE

How to pick the correct base part number	Type of Meter	
	Mechanical	RML
Type of E4000 you are replacing the base	Meter	Meter
E4000 has a base with a keypad for US	601360-000	
E4000 has a base with buttons for US	601361-000	601363-000
E4000 has a base with a keypad for Canada	601364-000	
E4000 has a base with buttons for Canada	601365-000	601367-000

See below for pricing and details on the part numbers

*Note: When sending in orders for the bases below you must include the serial number(s) of the E4000 registers you are repairing because we will stamp the serial number on the new base. Ex. "E001ABR. "R" = Replaced*

## E4000 REPLACEMENT BASES FOR SALE

Index	Description	Part number
1	<b>KP BASE KIT RML OR MECH MTR US FOR KP BASE REG (Includes below)</b>	<b>601360-000</b>
	MAIN BASE GASKET 1 each	1002357
	KEYPAD 1 each	600926-001
	US W&M TAG 1 each	600256-002

Index	Description	Part number
1	<b>KP BASE KIT MECH MTR US FOR BTN BASE REG (Includes below)</b>	<b>601361-000</b>
	MAIN BASE GASKET 1 each	1002357
	KEYPAD 1 each	600926-001
	US W&M TAG 1 each	600256-002
	E4000 KEYPAD HARNESS to DISPLAY 1 each	601057-001
	W&M SWITCH 1 each	1003001
	ENCODER KIT 1 each	601089-001

Index	Description	Part number
1	<b>KP BASE KIT RML MTR US FOR BTN BASE REG (Includes below)</b>	<b>601363-000</b>
	MAIN BASE GASKET 1 each	1002357
	KEYPAD 1 each	600926-001
	US W&M TAG 1 each	600256-002
	E4000 KEYPAD HARNESS to DISPLAY 1 each	601057-001
	W&M SWITCH 1 each	1003001
	ENCODER HOLE COVER KIT 1 each	601089-002

Index	Description	Part number
1	<b>KP BASE KIT RML OR MECH MTR CAN. FOR KP BASE REG (Includes below)</b>	<b>601364-000</b>
	MAIN BASE GASKET 1 each	1002357
	KEYPAD 1 each	600926-001
	CANADIAN W&M TAG 1 each	600256-003

Index	Description	Part number
1	<b>KP BASE KIT MECH MTR CANADA FOR BTN BASE REG (Includes below)</b>	<b>601365-000</b>
	MAIN BASE GASKET 1 each	1002357
	KEYPAD 1 each	600926-001
	CANADIAN W&M TAG 1 each	600256-003
	E4000 KEYPAD HARNESS to DISPLAY 1 each	601057-001
	W&M SWITCH 1 each	1003001
	ENCODER KIT 1 each	601089-001

Index	Description	Part number
1	<b>KP BASE KIT RML MTR CANADA FOR BTN BASE REG (Includes below)</b>	<b>601367-000</b>
	MAIN BASE GASKET 1 each	1002357
	KEYPAD 1 each	600926-001
	CANADIAN W&M TAG 1 each	600256-003
	E4000 KEYPAD HARNESS to DISPLAY 1 each	601057-001
	W&M SWITCH 1 each	1003001
	ENCODER HOLE COVER KIT 1 each	601089-002

## PICTURES OF BASE KITS FOR ABOVE PART NUMBERS 60136X-000

### Keypad Replacement Base Kits-RML or Mechanical Meters: Replacing Keypad Base

601360-000 (US)\*

601364-000 (CAN)\*

\* Customers will use their Encoder or Hole Cover Kit depending on model



### Keypad Replacement Base Kits-Mechanical Meters: Replacing button base with Encoder

601361-000 (US)

601365-000 (CAN)



### Keypad Replacement Base Kits- RML meters: Replacing button base without Encoder

601363-000 (US)

601367-000 (CAN)



1310 Emerald Road  
Greenwood, SC 29646  
USA  
Phone: 1.800.833.3357  
Fax: 1.864.223.0341

