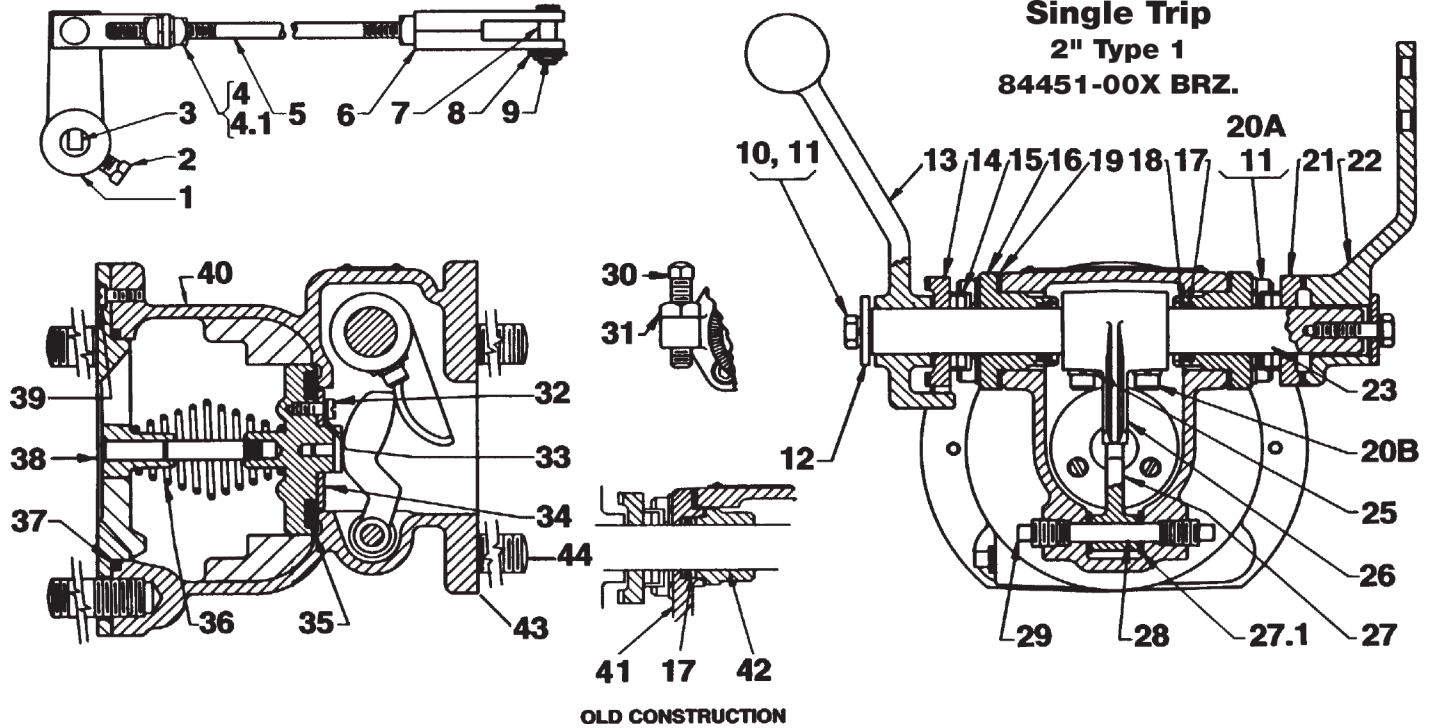




Parts List for **neptune** Bronze Auto Stop Valves

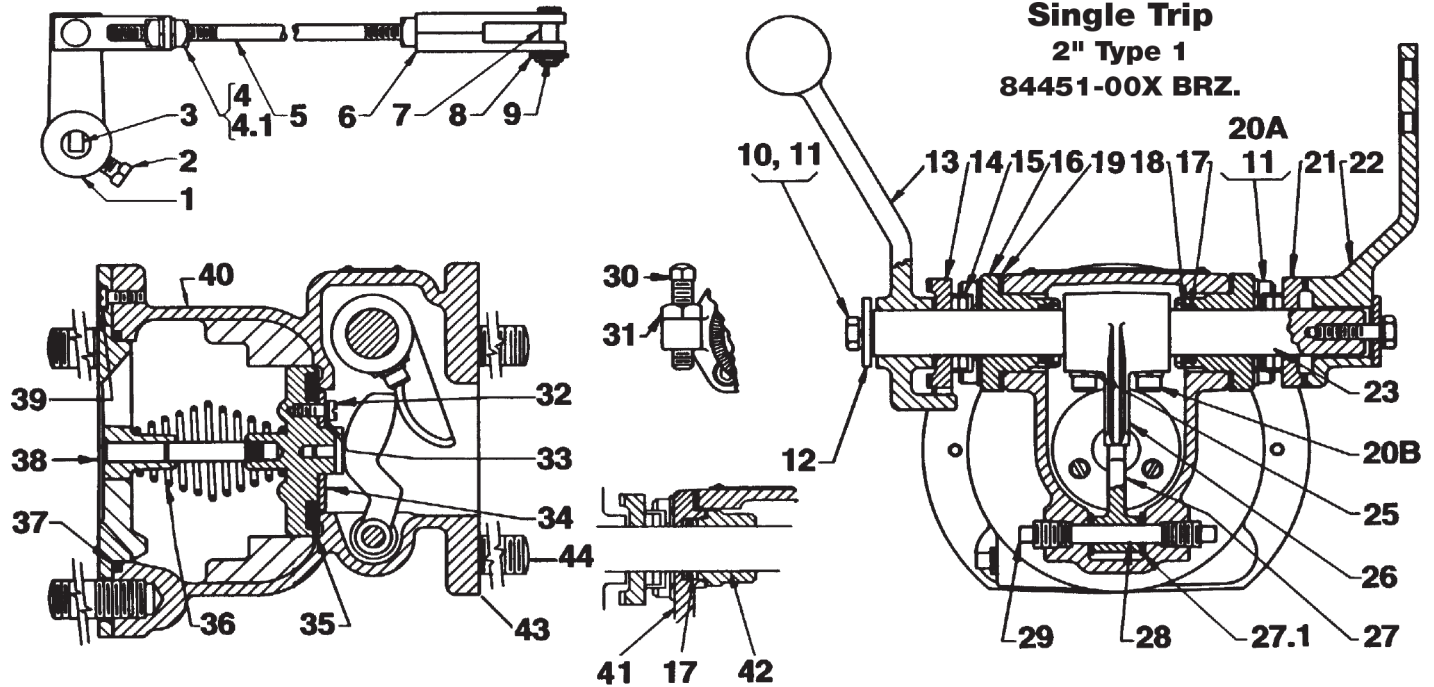
For: 1 1/2" and 2" Type S and 2" MP - #84451-001



Index	Part	Part No.
1	Arm Complete, Connecting Link	84603-000
2	Setscrew, 5/16-18 x 5/8 sq hd st	41476-000
3	Bushing, Connecting Link	
	Arm (knurled)	48858-001
4	Nut, 5/16-18 sq. steel	41545-000
4.1	Lockwasher, 5/16 steel	100121-010
5	Rod, Connecting - 10 ^{1/2} "	83435-105
5	Rod, Connecting - 12"	83435-012
5	Rod, Connecting - 14"	83435-014
5	Rod, Connecting - 16"	83435-016
6	Clevis, Connecting Rod	83433-000
7	Clevis Pin	83434-000
8	Washer, 78 x 3/8 x 1/6	41477-000
9	Cotter Pin, 3/32 dia x 11/16 brass	41640-000
10	Screw, 1/4-20 x 3/4 soc hd steel	83784-000
11	Lockwasher, 1/4 steel	41117-000
12	Washer	40508-000
13	Handle, Operating	83776-000
14	Stop Plate, Handle (left-hand)	83779-000
15	Pin, Operating shaft, 1/4 dia x 1 ^{1/4} (Rollpin)	100370-017
16	Bracket Assy with Buna-N O-Ring	84089-001
17	O-ring, Buna-N	100139-001
18	Retainer, Truarc	8579-108
19	Gasket, Bearing Bracket-Buna	83422-001
20	Screw, 1/4-20 x 3/4 soc hd st st	83784-000
21	Stop Plate, Handle (right-hand)	83778-000
22	Arm, Connecting Rod	83997-000
23	Shaft, Operating	83993-001

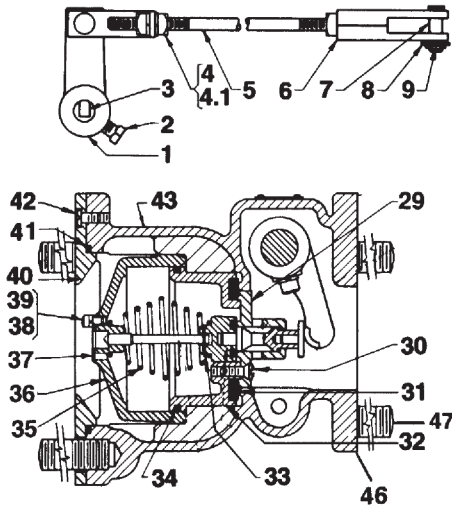
Index	Part	Part No.
25	Lockwasher, 1/4 bronze	86213-000
26	Cam, Operating	84460-000
27	Cam, Intermediate Operating	84461-000
27.1	Spacer, Cam (when necessary)	80919-000
28	Shaft, Intermediate Operating Cam	84462-000
29	Plug, Pipe 1/8 brass	100075-007
30	Screw, Stop 5/16-18 x 1 1/2 sq hd oval pt	83785-000
31	Nut, Stop, 5/16-18 sq steel	41545-000
-	Holder Complete, Valve Disc	--
-	Petroleum	84454-000
32	Screw, Valve Disc Retaining 10-32x3/8 brass	008396-004
33	Lockwasher No. 10 bronze	41510-000
34	Retainer, Valve Disc	84458-000
35	Disc Valve	--
-	Viton A (Standard for Type 4)	83983-002
36	Spring, Valve	85007-001
37	Gasket, Retaining Ring Buna-N O-ring	100139-016
38	Ring, Spring Retainig	84459-000
39	Screw, 10-32 x 3/8 fil hd	733-001
40	Body Assembled with studs (CI)	86202-1
41	Note: Parts 41 and 42 have been	
42	replaced by part 16.	--
43	Flange Gasket	--
-	Graph, Asbestos	42948-007
-	Teflon	42948-011

For: 1 1/4", 1 1/2" & 2" Type 4 and 40 - #84451-004

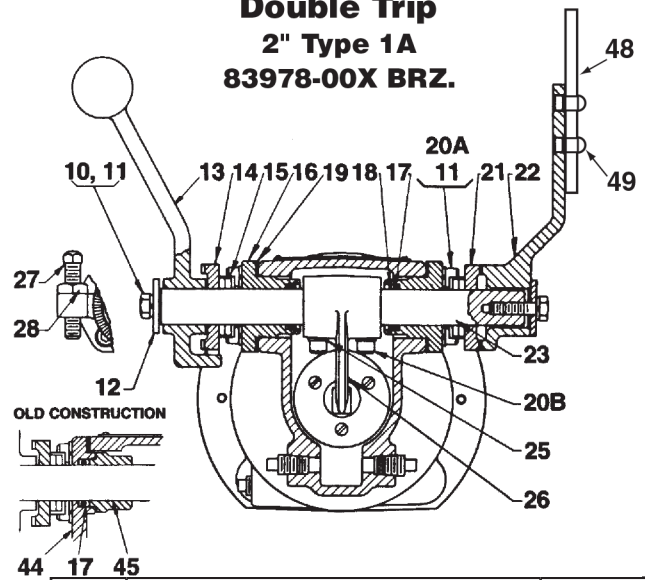


Index	Part	Part No.
1	Arm Complete, Connecting Link	84603-000
2	Setscrew, 5/16-18 x 5/8 sq hd st	41476-000
3	Bushing, Connecting Link Arm (knurled)	48858-001
4	Nut, 5/16-18 sq. steel	41545-000
4.1	Lockwasher, 5/16 steel	100121-010
5	Rod, Connecting - 10-1/2"	83435-105
5	Rod, Connecting - 12"	83435-012
5	Rod, Connecting - 14"	83435-014
5	Rod, Connecting - 16"	83435-016
6	Clevis, Connecting Rod	83433-000
7	Clevis Pin	83434-000
8	Washer, 78 x 3/8 x 1/6	41477-000
9	Cotter Pin, 3/32 dia x 11/16 brass	41640-000
10	Screw, 1/4-20 x 3/4 soc hd steel	83784-000
11	Lockwasher, 1/4 steel	41117-000
12	Washer	40508-000
13	Handle, Operating	83776-000
14	Stop Plate, Handle (left-hand)	83779-000
15	Pin, Operating shaft, 1/4 dia x 1-1/4 (Rollpin)	100370-017
16	Bracket Assy with Teflon O-Ring	84089-003
17	O-ring, Teflon	100234-002
18	Retainer, Truarc	8579-108
19	Gasket, Bearing Bracket-Buna	83422-001
20	Screw, 1/4-20 x 3/4 soc hd st st	83784-000
21	Stop Plate, Handle (right-hand)	83778-000
22	Arm, Connecting Rod	83997-000
23	Shaft, Operating	83993-001

Index	Part	Part No.
25	Lockwasher, 1/4 bronze	86213-000
26	Cam, Operating	84460-000
27	Cam, Intermediate Operating	84461-000
27.1	Spacer, Cam (when necessary)	80919-000
28	Shaft, Intermediate Operating Cam	84462-000
29	Plug, Pipe 1/8 brass	100075-007
30	Screw, Stop 5/16-18 x 1-1/2 sq hd oval pt	83785-000
31	Nut, Stop, 5/16-18 sq steel	41545-000
-	Holder Complete, Valve Disc Petroleum	84454-000
32	Screw, Valve Disc Retaining 10-32x3/8" brass	
33	Lockwasher No. 10 bronze	41510-000
34	Retainer, Valve Disc	84458-000
35	Disc Valve Viton A	83983-002
36	Spring, Valve	85007-001
37	Gasket, Retaining Ring Buna-N O-ring	100139-016
	Teflon O-ring	100139-017
38	Ring, Spring Retaining	84459-000
39	Screw, 10-32 x 3/8 fil hd	733-001
40	Body Assembled with studs (CI)	86202-1
	without studs (Petroleum) bronze	84452-003
41	<i>Note: Parts 41 and 42 have been replaced by part 16.</i>	--
42		--
43	Flange Gasket Graph, Asbestos	42948-007
-	Teflon	42948-011



**Double Trip
2" Type 1A
83978-00X BRZ.**



Index	Part	Part No.
1	Arm Complete, Connecting Link	84603-000
2	Setscrew, 5/16-18 x 5/8 sq hd st	41546-000
3	Bushing, Connecting Link Arm (knurled)	48858-001
4	Nut, 5/16-18 sq. steel	41545-000
4.1	Lockwasher, 5/16 steel	100121-010
5	Rod, Connecting - 10 ^{1/2} "	83435-105
5	Rod, Connecting - 12"	83435-012
5	Rod, Connecting - 14"	83435-014
5	Rod, Connecting - 16"	83435-016
6	Clevis, Connecting Rod	83433-000
7	Clevis Pin	83434-000
8	Washer, 78 x 3/8 x 1/6	41477-000
9	Cotter Pin, 3/32 dia x 11/16 brass	41640-000
11	Lockwasher, 1/4 steel	41117-000
12	Washer	40508-000
13	Handle, Operating	83776-000
14	Stop Plate, Handle (left-hand)	83779-000
15	Pin, Operating shaft, 1/4 dia x 1 ^{1/4} (Rollpin)	100370-017
16	Bracket Assy with Buna-N O-Ring with Teflon O-Ring	84089-001
	Viton O-ring	84089-006
17	O-ring, Buna-N	100139-001
	Teflon	100234-002
	Viton	100139-003
18	Retainer, Truarc	8579-108
19	Gasket, Bearing Bracket-Buna	83422-000
	Buna-N	83422-001
	Teflon	83422-002
20	Screw, 1/4-20 x 3/4 Soc hd st st	83784-000
21	Stop Plate, Handle (right-hand)	83778-000
22	Arm, Connecting Rod	83997-000
23	Shaft, Operating	83993-001
25	Lockwasher, 1/4 bronze	86213-000
26	Cam, Operating	83994-000

Index	Part	Part No.
27	Screw, Stop 5/16 - 18 x 1 ^{1/2} sq hd oval pt.	83785-000
28	Nut, Stop, 5/16-18 sq steel	41545-000
--	Piston & Throttling Ring Assem. Petroleum (Standard)	83981-002
--	Throttling Ring Assem. with Rod	83981-001
29	Cast Iron	83964-000
30	Screw, Piston Assembling, 10-32 x 3/4 Flat hd	83984-002
31	Disc Valve	600434-001
--	Teflon (Standard for Type S)	--
--	Viton A (Standard for Type 4)	83983-001
32	Piston	83983-002
--	Pilot Valve Assembling with Rod Petroleum (Standard) Buna-N	83982-000
--	Type S (Standard) Teflon	85012-000
33	Rollpin, 1/16 dia x 1/2	85012-001
34	Ring, Piston	100370-004
35	Spring, Valve	83989-000
36	Cylinder Assembled with Plate	85007-001
37	Plate, Orifice	85014-000
38	Washer, No. 8 stainless	85015-000
39	Screw, 8-32 x 5/16 fil hd	41982-002
40	Ring, Cylinder Retaining	50351-002
41	Gasket, Retaining Ring Buna-N O-ring	83992-000
	Teflon O-Ring	100139-015
42	Screw, 10-32 x 3/8 fil hd	100139-017
43	Body Assembled	733-001
--	with studs (Type S) BR2	84452-000
--	without studs (Petroleum) BR2	84452-003
44	Note: Parts 44 and 45 have been replaced by part 16	--
45		--
46	Flange Gasket	--
	Graphite Asbestos	42948-007
	Teflon	42948-011
47	Stud	82678-000
48	Handle Extension	1002578

1310 Emerald Road
Greenwood, SC 29646
USA
Phone: 1.800.833.3357
Fax: 1.864.223.0341

