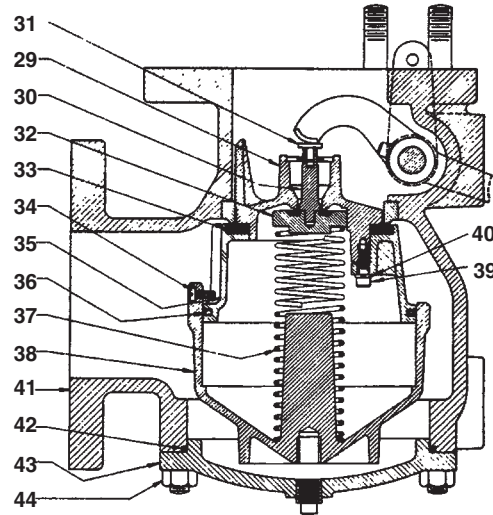
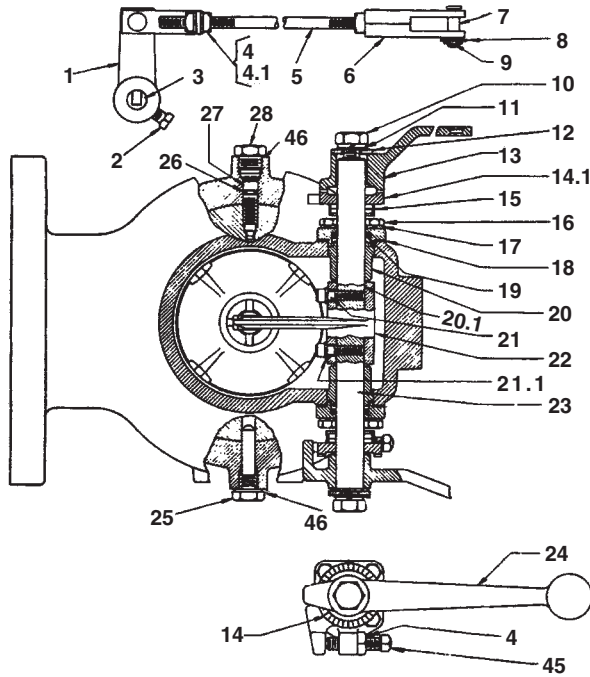


P-402
 Rev. D
 3" Auto Stop Valve
 Bronze - Type 1

RED SEAL MEASUREMENT

Parts List for **neptune** 3" Auto Stop Valve

For: 3" Type 4 and 3" MP Meters



**DOUBLE TRIP
 3" TYPE 1
 83571-005 (RF)
 83571-004 (MP)**

Index	Part	Part No.
—	Linkage Kit	100018-004
1	Connecting Link Arm Complete	84603-000
2	Setscrew, 5/16 — 18 x 5/8 sq hd st	41546-000
3	Bushing, Link Arm (knurled)	48858-001
4	Hex Nut, 5/16 — 18 steel	41476-000
4.1	Lockwasher, 5/16 steel	100121-010
5	Rod, Connecting (Give rod length and serial no. of meter)	83435-016
6	Clevis	83433-000
7	Stud	83434-000
8	Washer (flat)	41477-000
9	Pin, Cotter, 3/32 dia x 11/16 brass	41640-000
10	Screw, 7/16 — 14 x 1-1/16 hex hd br	100071-098
11	Lockwasher, 7/16 steel	41012-002
12	Washer, Retaining	83429-001
13	Arm Connecting Rod	83997-000
14	Plate, Stop-Handle, right hand	83778-000
14.1	Plate, Stop-Handle, left hand	83779-000
15	Rollpin, 1/4 dia x 1-1/4	100370-017
16	Screw, 1/4 — 20 x 3/4 hex hd steel	100059-025
17	Lockwasher, 1/4 steel	41117-000
18	Gasket, Bearing Bracket - Vellumold Buna-N (Type 4)	83422-000
	Teflon (MP)	83422-001
—	Bracket Assembly, Operating Shaft (Type 4)	84078-000
—	Bracket Assembly, Operating Shaft (MP)	84078-004
19	O-ring, shaft (Type 4)	100139-001
19	O-ring, seal (MP)	100234-002
20	Bracket, Bearing	84079-000
20.1	Truarc Retaining Ring	8579-108

Index	Part	Part No.
21	Screw, 1/4 — 20 x 3/4 Allen hd	83784-000
21.1	Lockwasher, 1/4 bronze	86213-000
22	Cam, Operating	83584-000
23	Shaft, Operating	83423-002
24	Handle, Operating	83776-000
25	Screw, cylinder retaining	83430-000
26	Gasket, Needle Valve (O-ring)	100138-002
27	Valve, needle	83409-000
28	Screw, seal (for needle valve)	4853-006
29	Throttling Ring Ass'd w/Pilot Valve Rod	86195-000
30	Rod, Pilot Valve	83413-001
31	Insert, Pilot Valve Rod	83407-002
32	Valve Ass'd, Pilot	83581-003
33	Disc, Valve	84282-000
34	Screw, 10-32 x 5/16 fil hd brass	47380-002
35	Piston	86194-000
36	Ring, Piston	83577-001
37	Spring, Valve	83583-000
38	Cylinder	83578-000
39	Screw, Throttling Ring, 125 & 150 psi	83784-000
	Screw, Throttling Ring, 300 psi	83783-001
40	Lockwasher, 1/4 stainless st (small)	41511-002
41	Body, assembled (Type 4)	83572-002
41	Body, assembled (MP)	83572-001
42	Gasket, Valve Cover (O-ring)	100139-004
43	Cover, valve	83587-001
44	Nut, Valve Cover	41118-000
45	Setscrew, 5/16 — 18 x 1-1/2 sq. hd oval pt	83785-000
46	O-ring	100138-003

U.S.A./International
1310 Emerald Road
Greenwood, SC 29646-9558
Tel.: Toll-Free (800) 833-3357
(864) 223-1212
Fax: (864) 223-0341

© 2013

Specifications subject to change without prior notification.

RED SEAL
MEASUREMENT