



VLF Flowmeters

Models VLF 4 (1/8")

VLF 8 (3/8"), VLF 20 (3/4")



Red Seal Measurement VLF (very low flow) flowmeters have been designed to measure the flow of light fuel or diesel oil. They are available in three different sizes: 1/8" (VLF 4), 3/8" (VLF 8), and 3/4" (VLF 20) to measure flow rates ranging from 0.25 to 390 gph. The oscillating piston of these flowmeters forms two measuring chambers that are alternately filled and emptied. The passing oil is measured by fractions reflected by the register.

The register unit of the VLF 8 and VLF 20 is housed in a vacuum sealed casing. It is secure from dirt, dust, and condensation.

Operation of the flowmeters can be verified at any time by checking the disc rotation in the dial center. This allows accurate monitoring and prompt adjustment of the burner. Flow volume can be determined and quickly compared with the optimal adjustment, allowing full control of oil consumption.

Note: A fine filter is built into the inlet but should the liquid being metered contain foreign matter, a separate screen or removable filter of appropriate size should be fitted on the inlet side. The filter mesh should not be larger than 50 micron for the VLF 4 and VLF 8 meters and 100 micron for the VLF 20.

MODEL	VLF 4 (1/8")	VLF 8 (3/8")	VLF 20 (3/4")
Flow Rate	0.25 to 20 gph (1-80 dm ³ /hr)	1 to 50 gph (4-200 dm ³ /hr)	9 to 390 gph (30-1500 dm ³ /hr)
Accuracy	±1%	±1%	±1%
Repeatability	±.1%	±.1%	±.1%
Operating Temperature	140° F (60° C)	140° F (60° C)*	260° F (130° C)
Operating Pressure	350 psi (25 bar)*	350 psi (25 bar)*	225 psi (16 bar)*
Dial Registration	0.001 USG (.01 litres)	0.01 USG (0.1 litres)	0.01 USG (0.1 litres)

VLF PULSER OPTIONS

	VLF-4	VLF-8	VLF-20
US	not available	not available	10 pulses per gallon
Metric	not available	1 pulse per litre	1 pulse per litre

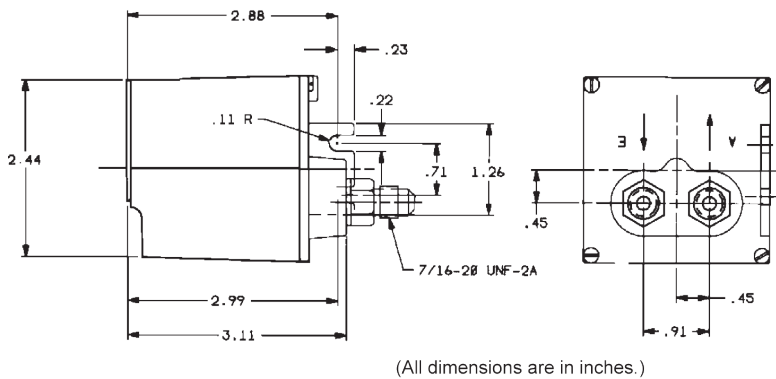
VLF PULSER SPECIFICATIONS

Ambient Temperature Limits	-10°C to -60°C (-14°F to 140°F)
Switching Element	Reed contact (potential free)
Switching Voltage	Max. 48 V DC/AC
Switching Current	Max. 50mA (Ri = 47 Ohm) ¹
Switching Capacity	Max. 3 watts
Static Current	nil

¹Note: Ri is the resistance of the electronic device that is being driven by the pulser, eg., a counter.

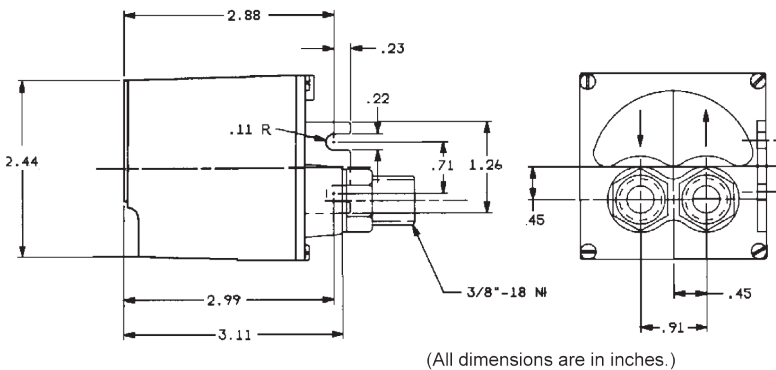
PHYSICAL DIMENSIONS

Model VLF 4



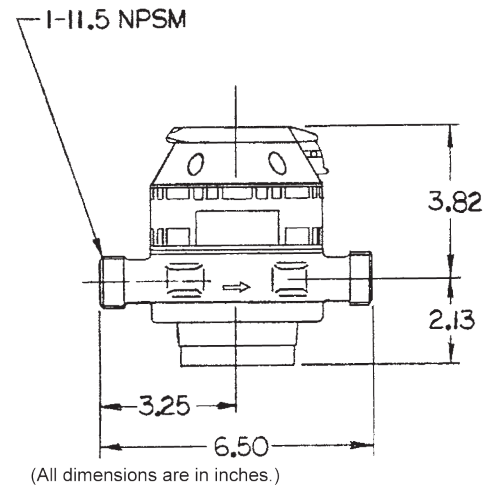
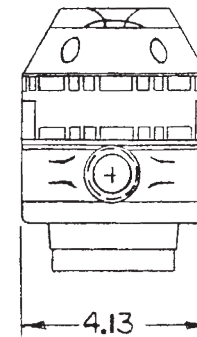
Connections are provided for attaching 1/4" 45° female tube fittings.

Model VLF 8



Connections are provided for attaching 3/8"- 16 NPT female fittings.

Model VLF 20



Connections are provided for attaching 3/4"-14 NPT

1310 Emerald Road
Greenwood, SC 29646
USA
Phone: 1.800.833.3357
Fax: 1.864.223.0341

