



L.P. GAS FLOWMETERS

1 1/4" TYPE 4D

1 1/2" TYPE 4D

DESCRIPTION

The Red Seal 1 1/4" and 1 1/2" Type 4D meters, with double case design, have been specifically designed for the custody transfer of Liquefied Propane & Butane Gas (LPG). These meters utilize the oscillating piston principle positive displacement measuring chamber technology. The standard meter includes a base meter with a register, differential control valve, combination vapor eliminator/strainer, inlet check valve, pressure relief valve, vapor check valve, and tubing kit. Options include: automatic temperature compensator (ATC) and ticket printing register.

DESIGN FEATURES

RELIABILITY

Rugged outer body components, coupled with a double case design, reduce differential pressures on the measuring chamber which insures long life and sustained accuracy.

FLEXIBILITY

Compact design readily adapts to right or left hand flow, and front or rear inlet positions. Both temperature compensated and uncompensated units are available.

EASE OF MAINTENANCE

Double case design affords fast replacement of the factory calibrated measuring chamber, reducing equipment down time. The piston is treated with a special Nituff® Teflon® impregnation process which protects it from impurities and adds lubricity for smooth performance at low flow and higher operating pressures.

POSITIVE AND ACCURATE REGISTRATION

Time proven Neptune calibration gears and the change gear shifter provide positive adjustments to 0.02% for calibration accuracy. As the gear ratios are fixed, calibration cannot drift.

UNITS OF MEASURE

Red Seal Model 800 Series Registers offer a full range of options in US Gallons, Liters and Imperial Gallons with 5 digit reset and printed ticket totals, and an 8 digit non-resettable totalizer.

*Or Similar Material



1 1/4" 4D Flowmeter w/833 Register

OPERATING SPECIFICATIONS

Model/Size	1 1/4" 4D	1 1/2" 4D
Flow Rate		
Q Max	114 lpm (30 usg)	227 lpm (60 usg)
Q Min	19 lpm (5 usg)	45 lpm (12 usg)
Pressure		
P Max	24.13 bars (350 PSI)	24.13 bars (350 PSI)
P Min	Note 1	
Temperature		
T Max	60°C (140°F)	60°C (140°F)
T Min	Note 2	
A.T.C. Effective Range *Compensates to basepoint of 15°C or (60°F)		
Max	52 (+125)	52 (+125)
Min	-23 (-10)	-23 (-10)
Connections: Inlet check valve and differential valve have 1 1/2" internal N.P.T. (pipe threads) for connection to external piping.		
Note 1: Minimum of 1.034 Bars (15 PSI) is required to open differential control valve, plus pressure loss (P) in system and through dispensing hose and nozzle. Note 2: Operation below -23°C (-10°F) is not recommended for mechanical A.T.C.		

MATERIALS OF CONSTRUCTION

PRESSURE CONTAINMENT COMPONENTS

Main case and cover,
differential control valve,
and vapor eliminator:.....NODULAR IRON
(ASTM: A395)
Gaskets and seals:.....BUNA-N
NEOPRENE

INTERNAL COMPONENTS

Measuring chamber case
and gear train.....BRONZE
Oscillating piston:.....ALUMINUM, with
NITUFF OR SIMILAR
COATING
Gear train and other shafts....300 SERIES STAINLESS
STEEL
Vapor eliminator float:.....304 STAINLESS STEEL

ACCESSORIES

Mechanical Registers

Printing Registers Metric: Model 843-L15 (10 LITER)
Printing Registers English: Model 833-0 (1 GALLON)
Ticket print unit with 5 digit reset and printed ticket total delivery (face up ticket, prints out zero start and final delivery total) and 8 digit non-resettable totalizer.

Non-printing option
Metric: Model 841-L28 (10 LITER)
English: Model 831-11 (1 GALLON)

E4000 Register

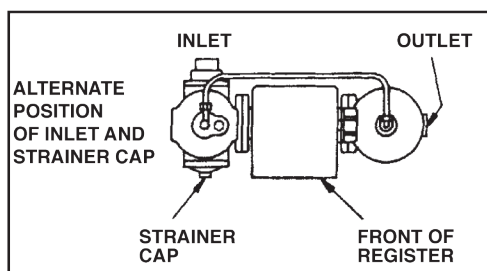
- Ticket Printing
- Security Valve
- Totalizer
- Multiple software options
- See Tech Sheet TS-303 for more details.

APPROVALS

Meets or exceeds accuracy of flow and adherence to
Custody Transfer of LPG per NIST.
Certificate No. 89-140
Non-Electrical Safety Standards for LPG Flowmeters:
Underwriters Laboratory (UL)
Listing No. 436194002 (kl/0053576/80) (dtd 07/11/89)

AUTOMATIC TEMPERATURE COMPENSATOR

The vast majority of LPG meters are produced with this option. The ATC mechanically modifies the rotational speed of the gear train output shaft to adjust (compensate) for ambient temperature variances, "correcting" the volume of product delivered to a standard of 15°C (60°F), regardless of ambient or product temperature. If installed, most regulatory agencies require the ATC to be locked into the "engaged" mode and sealed to prevent fraud.

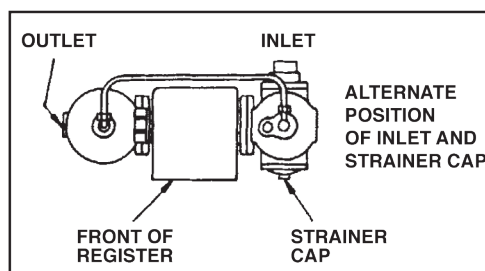


ASSEMBLY OPTIONS

Normal assembly is right hand flow: Inlet at left rear, flow to right outlet at Differential Control Valve.

Right hand assembly

Left hand assembly



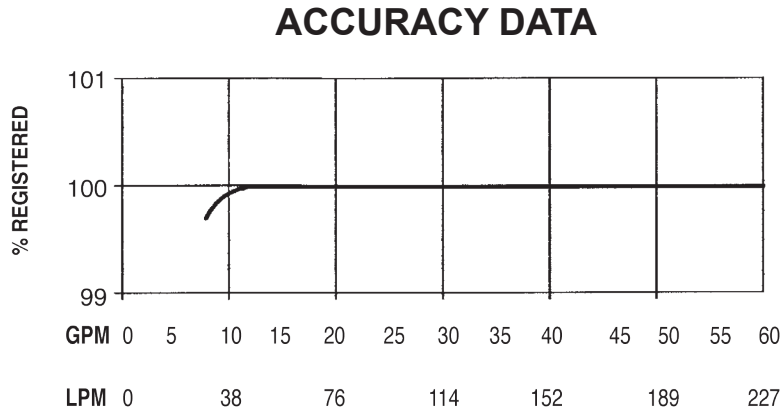
WEIGHTS OF UNITS **Kg (Lbs)**

METER SIZE	Register Option			
	841 OR 831		843 OR 833	
	non-ATC	ATC	non-ATC	ATC
1 ¹ / ₄ " 4D	49 (107)	57 (126)	50 (111)	59 (130)
1 ¹ / ₂ " 4D	52 (114)	59 (129)	52 (114)	60 (133)

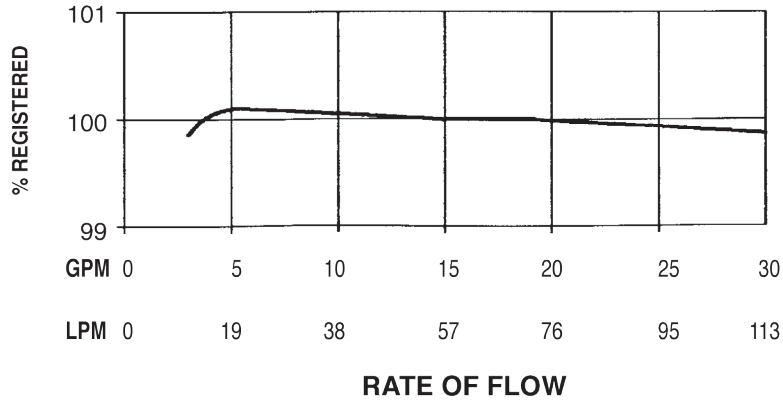
ACCURACY

All Red Seal 1^{1/4} and 1^{1/2}" Type 4D LPG Flowmeters are tested for accuracy and calibrated to meet or exceed the parameters set forth in USA Department of Commerce, National Institute of Standards and Technology (NIST), Handbook 44.

1^{1/2}" Type 4D Flowmeter with Differential Valve

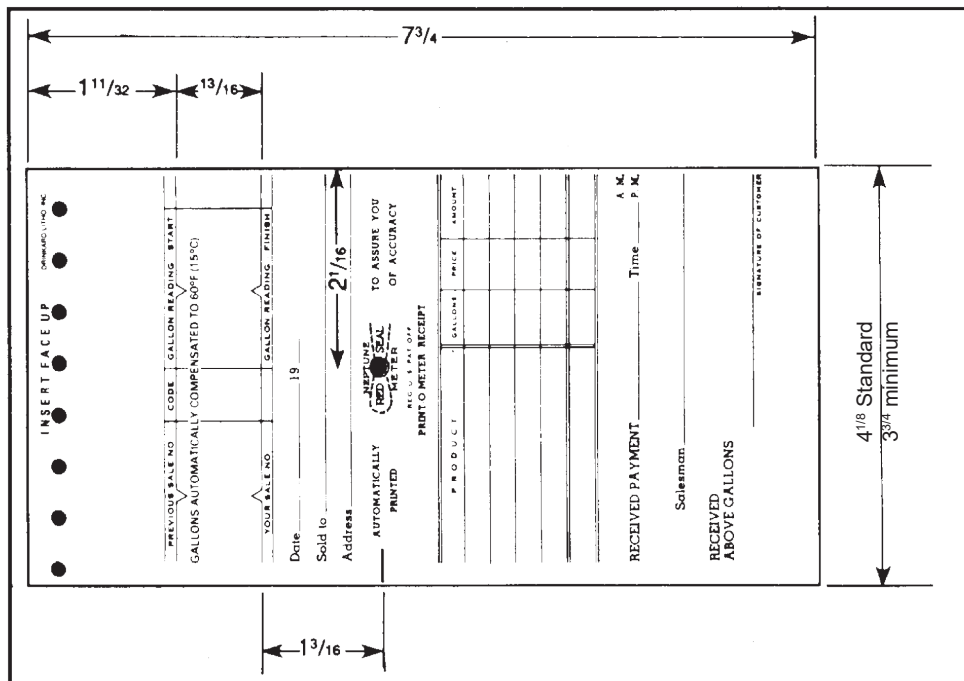


1^{1/4}" Type 4D Flowmeter with Differential Valve



RATE OF FLOW

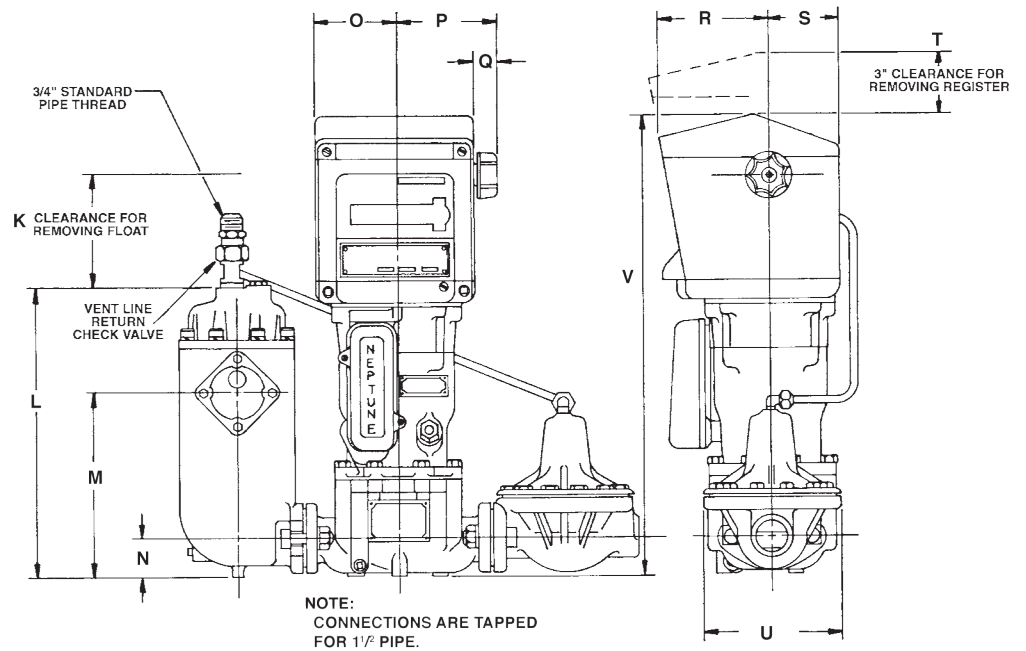
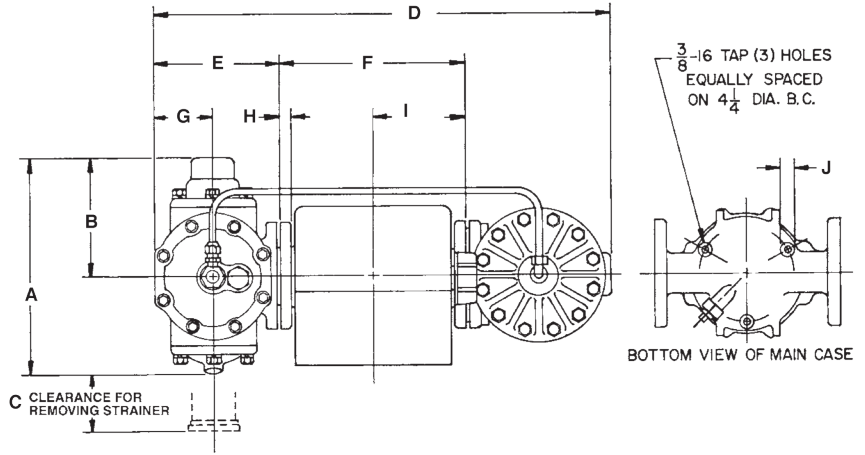
PRINTER TICKET DIMENSIONS



DIMENSIONAL DATA

DIMENSIONS

	in.	mm
A	10.38	263.53
B	5.88	149.23
C	7.50	190.50
D	22.63	574.68
E	6.13	155.58
F	9.38	238.13
G	2.88	73.03
H	0.63	15.88
I	4.69	119.06
J	0.75	19.05
K	5.00	127.00
L	17.81	452.44
M	9.25	234.95
N	1.94	49.21
O	4.00	101.60
P	5.31	134.94
Q	1.31	33.34
R	5.25	133.35
S	4.25	107.95
T	3.00	76.20
U	6.75	171.45



DIMENSION V	in.	mm.
1 1/4" uncompensated	15.13	384.18
1 1/4" compensated	22.44	569.91
1 1/2" uncompensated	15.81	401.64
1 1/2" compensated	23.13	587.38

Specify Genuine Neptune Replacement Parts

1310 Emerald Road
Greenwood, SC 29646
USA
Phone: 1.800.833.3357
Fax: 1.864.223.0341

