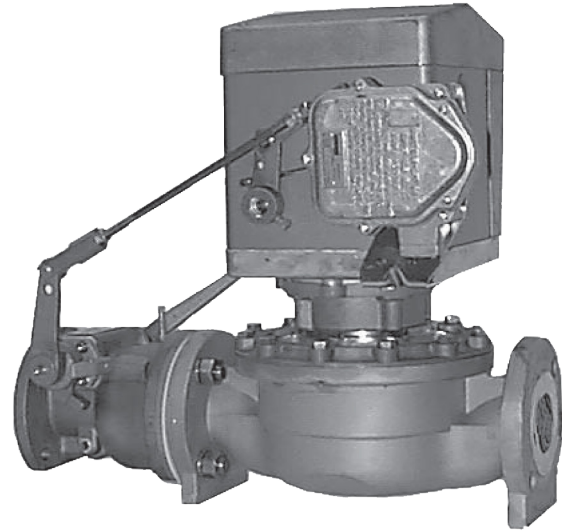


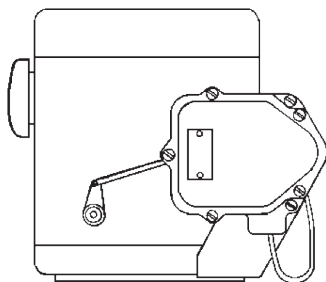


# neptune AUTO-STOP SWITCHES

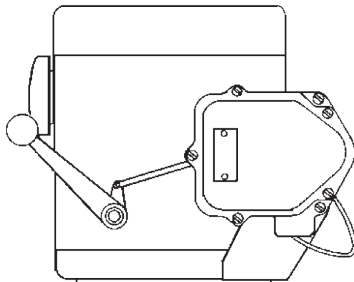


## GENERAL

Red Seal Model 23 Auto-Stop Switches used with 800 series preset registers extend the Auto-Stop feature to electrically operated systems for the remote actuation of valves, pumps, or other accessory equipment. They can be supplied on new flowmeters or added to flowmeters already designed for Auto-Stop operation. They can be used with any 800 Series Preset Register (i.e., Models 832, 834, 842, & 844). Model 23A and 23B Switches are identical in outward appearance; however, the Model 23A is a two-stage switch used with actuated valves and the Model 23B is a single stage switch. Both switches are designed to energize and de-energize an electrical device. A pump and/or solenoid valve can be used in place of a mechanical auto-stop valve. Upon completion of delivery, the switch provides contact closures to de-energize the pump and finally close the valve. This orderly system shutdown reduces wear, saves energy



Model 23B with  
mechanical valve



Model 23A/23B without  
mechanical valve

and eases hydraulic shock on the system.

## MODEL 23A

The Model 23A is designed to be used only with a double-trip Auto-Stop Register. The Model 23A provides two switch closures for two-stage shutdown of solenoid valves with the final closure also de-energizing the pump if needed. No mechanical valve is needed with the Model 23A switch. Model 23A switches are double-pole double-throw (DPDT).

## MODEL 23B

The Model 23B can be used with either a single trip or double trip Auto-Stop Register. Model 23B Switches provide one switch closure for single trip valve shut-down and/or pump de-energizing. They may be used with or without an auto-stop valve. Model 23B switches fit to the rear housing of the auto-stop register and allow the operator to electrically energize and de-energize some other device in sequence with the auto-stop register. The Model 23B switch is commonly wired to a motor starter for a pump. When activating the mechanical batch operation at the auto-stop register, the pump is energized at the same time. The switch closes and the pump is de-energized at the end of the batch. The Model 23B starts and stops the flow for approximate batching application. Model 23B switches are single-pole double-throw (SPDT).

## MAINTENANCE

Only minimal maintenance is needed to maintain Auto-Stop Switches. There is no need to remove the adapter or open the register for maintenance. Adjustment of the timing of the switch action with the mechanical action of the register is accomplished by adjusting the setscrew on the valve linkage.

## CLASSIFICATIONS

UL: Class 1, Div. 1, Groups C&D  
Class 2, Div. 1, Groups F&G

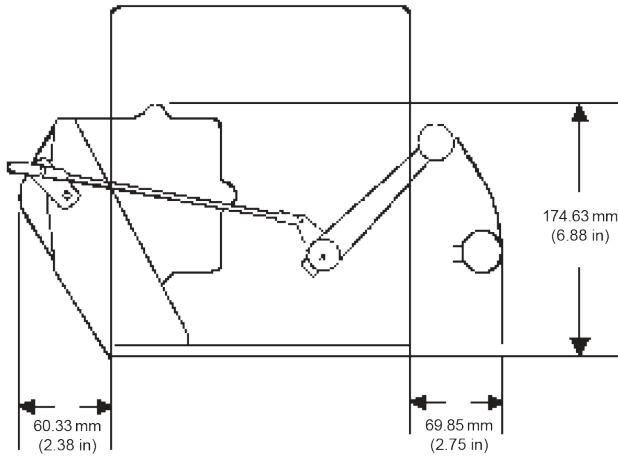
CSA: Class 1, Div 1, Group D  
Class 2, Div. 1, Groups F&G

## RATING

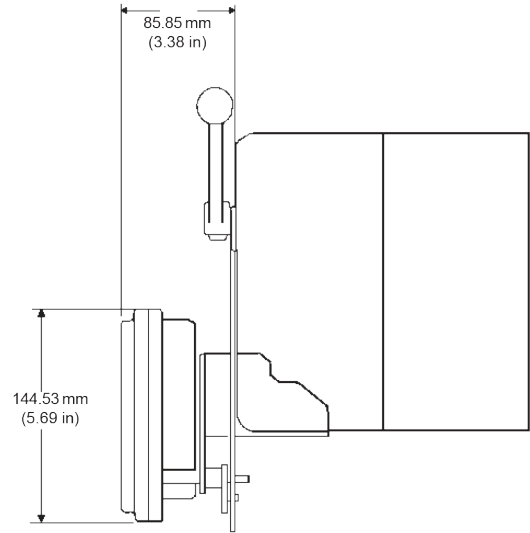
15 amps at 125-250 VAC  
0.5 amps at 125 VDC  
0.25 amps at 250 VDC

SWITCH	PART NUMBER	REGISTER MODEL	DESCRIPTION	AGENCY APPROVAL
23 A	088099-000	832,834,842,844	2--Trip w/o Valve	UL
23B	088099-601	832,834,842,844	1-Trip with Valve	UL
23B	088099-501	832-834,842,844	1-Trip w/o Valve	UL

## Dimensional Data mm (in)



Front View



Top View

1310 Emerald Road  
Greenwood, SC 29646  
USA  
Phone: 1.800.833.3357  
Fax: 1.864.223.0341

