



Digital Pulse Transmitters for Mechanical Flowmeters

DIGITAL TRANSMITTERS

Digital transmitters produce signals that exist only in one of two states: ON or OFF. These states may also be referred to as HIGH or LOW, or 1 or 0 (zero).

MODEL VR7697 (Models 35, 43 & 45)

This economical and versatile bidirectional digital pulse transmitter provides 10 pulses per revolution with excitation power of 115-250 VAC or 12-36 VDC, making it compatible with most remote read-out equipment.

MODEL VR7671 (HR)

(Models 35HR, 43HR & 45 HR)

This solid state Hall Effect digital pulse transmitter provides 50 or 100 pulses per revolution. Note that input (excitation) power is limited to 10-15 VDC.

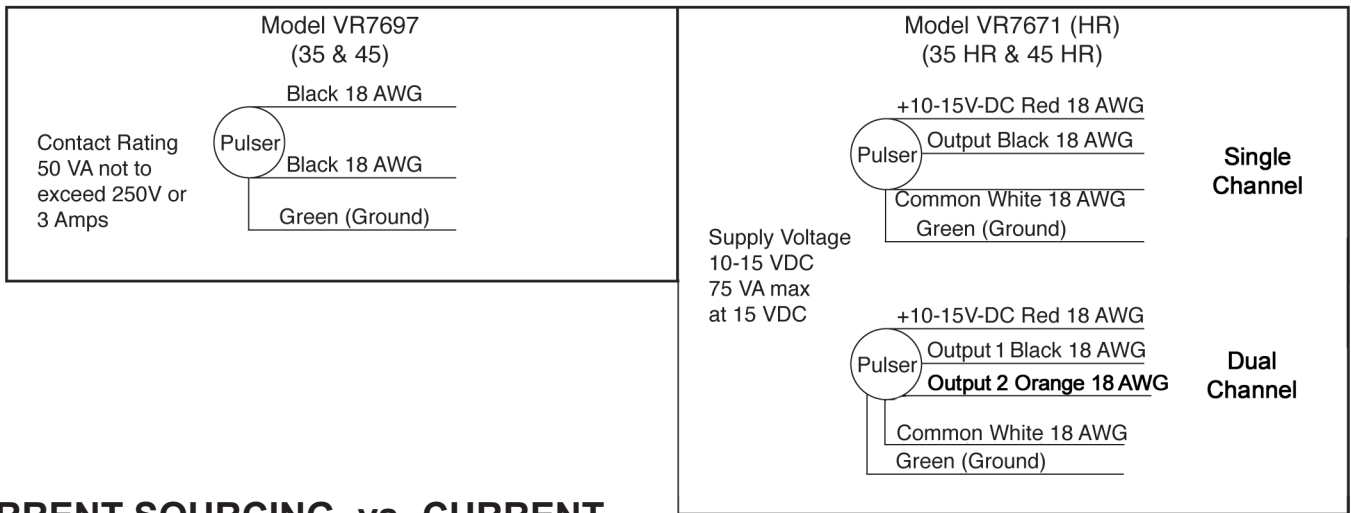
NEPTUNE DIGITAL PULSE ELECTRONIC TRANSMITTER DATA

Model No.	Type of Device	Contact	Pulses per Revolution	Max Speed: Hz (RPM) (2)	Contact Rating (2)	Enclosure Rating	Input Voltage	Remarks
VR7697	Dry Reed Bidirectional	SP/ST	10	50 (300)	50 VA resistive (not to exceed 250v or 3amp)	U.L., CSA X-proof Class I, Div 1 Groups C&D	110 & 250 VAC 12-36 VDC	Models 35, 43, and 45
VR7671	Hall Effect Unidirectional	Solid State	Single channel: 100 Dual channel: 50	1000 (600)	.75 VA max. non-inductive (not to exceed 15VDC or .05A)	U.L., CSA X-proof Class 1, Div. 1 Groups C&D	10-15 VDC	Models 35HR, 43HR, and 45HR

Notes:

- (1) All above units are compatible with Batchmate 1500 Solid State Controller (see TS-500)
- (2) Max speed in pulses per revolution, Hz, and RPM limits from manufacturers' data

WIRING DIAGRAMS



CURRENT SOURCING -vs- CURRENT SINKING

Current Sourcing: sensor supplies the voltage to the count input. Sourcing sensors are PNP transistor outputs or a contact closure to V+.

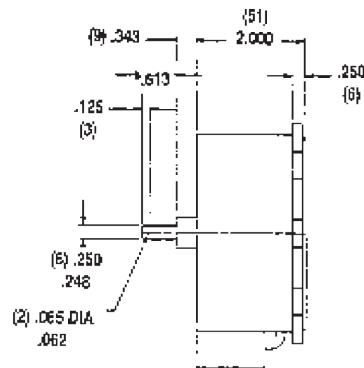
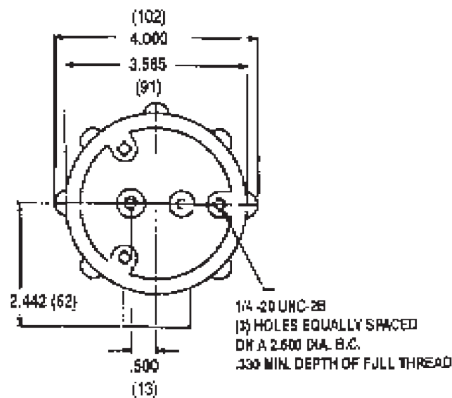
Current Sinking: sensor provides a path to DC common for the count input. Sinking sensors are NPN transistor outputs or a contact closure to DC common.

Compatibility: Both sourcing and sinking digital pulse transmitters offered by Neptune are fully compatible with the Neptune BATCHMATE 1500 electronic batch controllers, which can be set by DIP switches in the device at the factory or in the field to match the transmitter.

OPERATING and STORAGE TEMPERATURES

Model No. Environment		VR7697 (35 & 45)	VR 7671 (HR) (35 HR & 45 HR)
Operating	°C	-40 to +71	-40 to +82
	°F	-40 to +160	-40 to +180
Storage	°C		-55 to +125
	°F		-67 to +257

DIMENSIONS in (mm)



1310 Emerald Road
 Greenwood, SC 29646
 USA
 Phone: 1.800.833.3357
 Fax: 1.864.223.0341

