

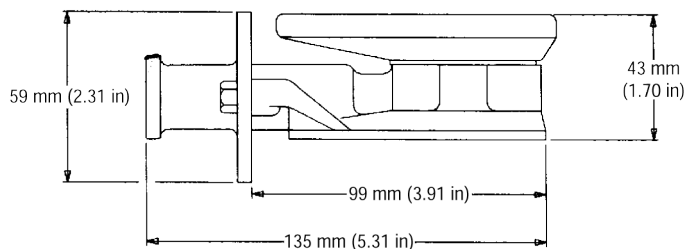


# neptune PULSE TRANSMITTER ADAPTERS

Pulse Transmitter Adapters are intermediate components specifically designed to provide rotational output from the meter to the pulse transmitters. In most cases, the output is calibrated; however, due to the pulse transmitter or end user specifications, the output may be uncalibrated. In these cases, a notation will be inserted to alert the application engineer and the customer of a K-factor output.

## MODEL 35 ADAPTER

Model 35 Adapters are used with Type S and Type S High Pressure Flowmeters with Model 157 Registers. The Model 35 provides synchronized calibration to both the register and the pulse transmitter. Calibration is easily accomplished by removing the calibration gear ("R" gear) from the register input shaft and fitting it onto the adapter input shaft (slotted shaft). In this case, no additional calibration gears are required. The pulse transmitter attaches to the horizontal output drive shaft on the adapter.



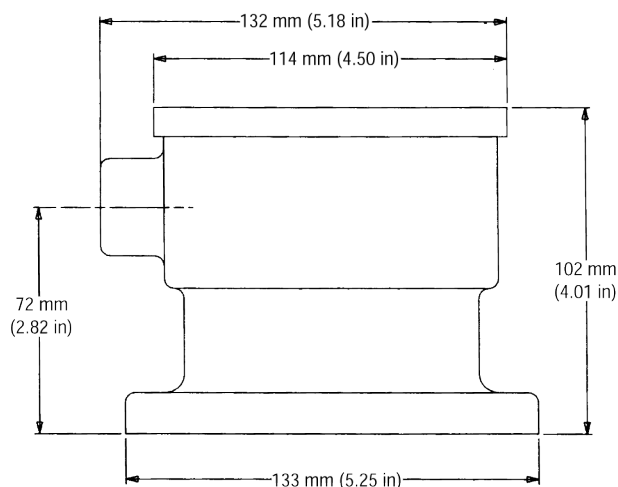
Model 30 Adapter

## MODEL 43 ADAPTER

This unit is mounted on the Type MP (1"-3") and Type S/MD (1<sup>1/2</sup>" and 2") Flowmeters. It has a gear train and a housing that can accommodate a "blind" (no register) transmitter.

### LARGE MAGNET STANDOFF

The large magnet standoff is used when Type MP (1"-3") and Type S/MD (1<sup>1/2</sup>" & 2") Flowmeters are utilized without gear trains for an uncalibrated output. Clamp rings fit in a horizontal groove machined into the base of the adapter and secure the large magnet standoff to the top cover of the flowmeter.

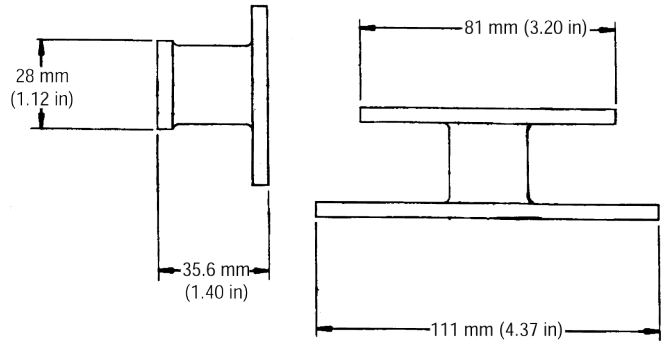


Model 43 Adapter

A 1:1 drive assembly magnetically couples the flowmeters to the pulse transmitter. It also provides a thermal standoff for the dissipation of heat from the liquid product being measured. The pulse transmitter or the receiving electronic unit must have pulse scaling capability because the input is uncalibrated. Alternatively, the analog pulse transmitter must have easily accessible zero and span adjustments. Large magnet standoff adapters are easily installed and retrofitted and do not require system shut-down.

### Intermediate Adapter (Part No. 100748-001)

This unit enables pulse transmitter installation on the 600 series register. It provides coupled rotational output from the meter to the pulse transmitter from the register calibration gear shaft. The output from this configuration is the same as the units of registration of the 600 register. The Intermediate Adapter is also used to mount a pulse transmitter to the Model 30 adapter.



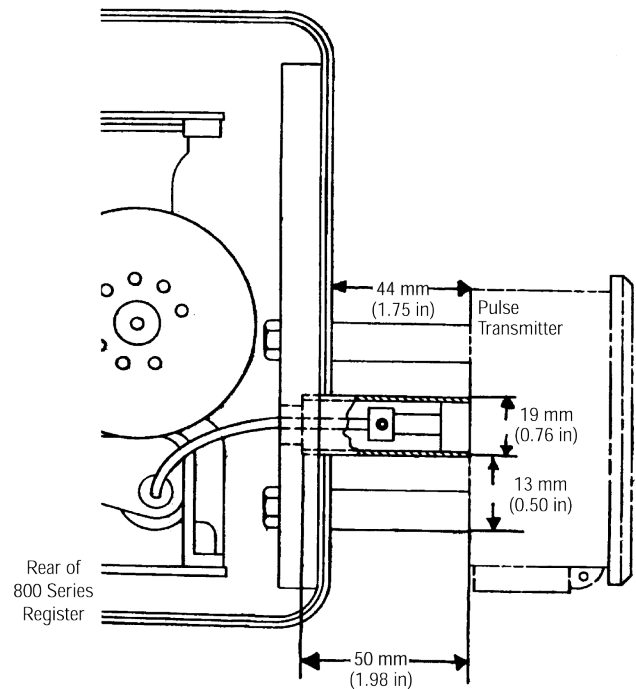
**Intermediate Adapter**



Note: Used in Model 35, 35HR, 45, and 45HR configures.

### FLEX DRIVE ADAPTER

The flex drive is only applicable to Model 800 Series Registers. A flex drive may be installed at the factory or retrofitted in the field by a trained technician. The Flex Drive Kit consists of a Stainless Steel flexible cable attached to a calibrated internal drive mechanism. The cable routes through a reinforcing brace at the upper rear of the register and connects to a pulse transmitter. The pulse transmitter is secured to the brace. The units of registration and the register RPM control the input to the pulse transmitter.



**Flex Drive Adapter**

1310 Emerald Road  
Greenwood, SC 29646  
USA  
Phone: 1.800.833.3357  
Fax: 1.864.223.0341

